



**FERRARI NORTH AMERICA, INC.
TECHNICAL SERVICE DEPARTMENT**

TECHNICAL INFORMATION

Area	Model	Bulletin n°	Date	Pages
1	360 All Versions	1012/A	October 2002	2

SUBJECT: Engine Oil Filter

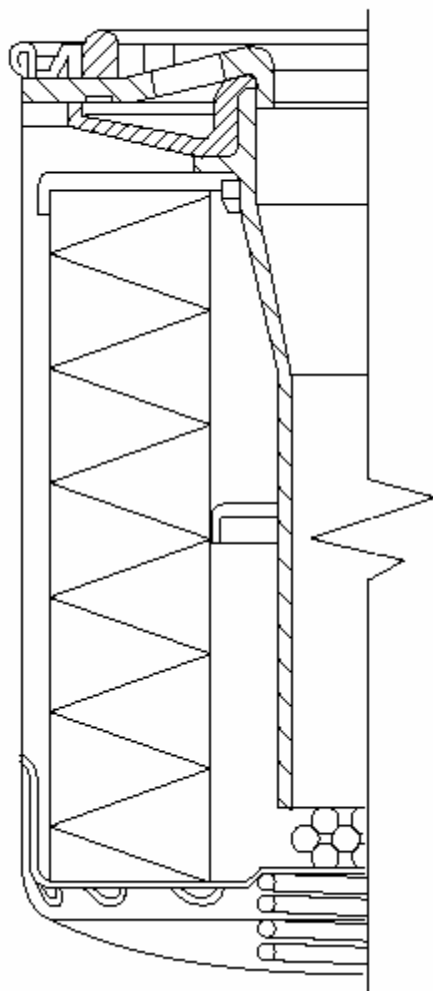
A new, improved oil filter part number 191462 is now being used. The old filter, part number 130623 should no longer be used and any that may be in your Parts Department inventory should be returned to “Ferrari North America” for credit.

The new oil filter part number 191462 was introduced into production with engine number 66056 (chassis number: 127488). The new filter should also be used on other models (348, F355, F50, etc.) that require the same filter. The differences between the new and old filter can be seen on page 2 (Fig.1).

NOTE: The filter must be installed using special tool number USAG D156 (part number: 95971560) and torqued to 25 Nm.



NEW FILTER
part no. 191462



OLD FILTER
part no. 130623

